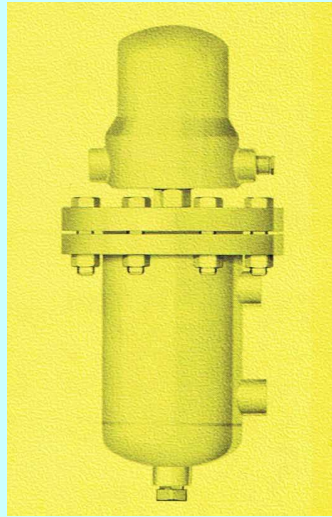


# PREMATROL Liquid Level Switch

## V6000 Series



### External Cage Displacement Type



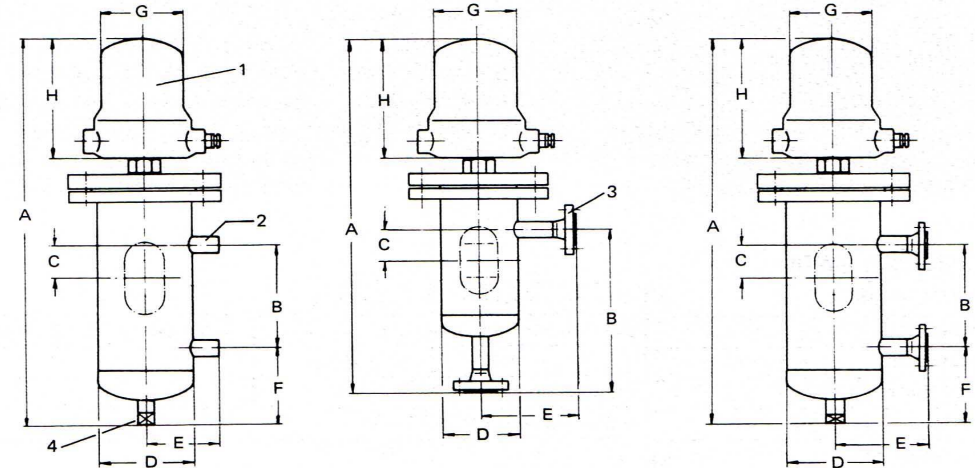
V6000 Series are a combination of top mounted displacement types fitted to an external cage-flanged body. All combinations with top mounted Models V111/V112/V112TDM and V113TDM are available, refer to sheet F4.11.  
Max. Operating Temperature limited to +180°C.

#### Outline Dimensional Drawings

V6040 thru V6400

V6040VF thru V6400VF

V6040HFS thru V6400HFS



#### Standard Design :

Model No.	V6040		V6064		V6100		V6160		V6250		
Float Chamber Material	Carbon Steel, flanged body										
Rated, ... bar at 120°C **	40		64*		100*		160*		250*		
Body Connections	1" female pipe thread or 1" NPT(F)										
Flanged Connections VF- or HF-Style	Size: DN	25	1"	25	1"	25	1"	25	1"	25	1"
	Rating: PN	40	300#	64	600#	100	600#	160	900#	250	1500#
Flanges acc. to	DIN	ASA	DIN	ASA	DIN	ASA	DIN	ASA	DIN	ASA	
Drain Connection	1" female pipe thread or 1" NPT(F) with Plug										
Displacer : Diam. x Length	75 x 155		75 x 155		75 x 155		75 x 155		80 x 190		
min. Spec. Gravity	0,40		0,40		0,40		0,40		0,60		
Displacer Material	V4A-SS, Mtl. No. 1.4571 / SS316Ti (Displacer Cable Mtl. V4A)										
Switch Housing	Cast Aluminium, IP55 acc. to DIN 40050										
Conduit Connection	PG16 DIN 46255 (Thread)										
Switch Mechanism	Mercury Type Q1 - SPDT										

\* German Pressure Vessel Code Regulations require TÜV-Inspection

#### Optional :

Float Chamber Material	SS or other Mtl. upon request			
Connection Flanges	flange facing acc. DIN or ASA standards (or requirements)			
Drain / Vent connection	as per requirements, flanged or pipe thread.			
Displacer Material	as per requirements			
Enclosure	for Ex-Proof, please ask			
Conduit Connection	as per requirements			
Switches : refer to Data-Sheet	Mercury : C1.1	Micro : C2.1	Proximity	Pneumatic

- 1) Switch Housings shown are standard IP55.
- 2) 1" pipe thread or 1" NPT(F)
- 3) Flange : standard or acc. to specifications.
- 4) Drain : 1/2" pipe thread or 1/2" NPT(F) plugged

\*\* Temperature Limitation : Max. Service Temp. 180°C for all Models

Model No.	Style	A	B	C	D	E	F	G	H
V6040 thru V6160	.	1120	400	120	114	85	170	130	200
V6250		1135			127	90	190		
V6040 thru V6160	HFS	1120	400	120	114	170	170	130	200
V6250		1135			127	180	190		
V6040 thru V6160	VF	910	400	120	114	85	x	130	200
V6250		925			127	90			

Prematec